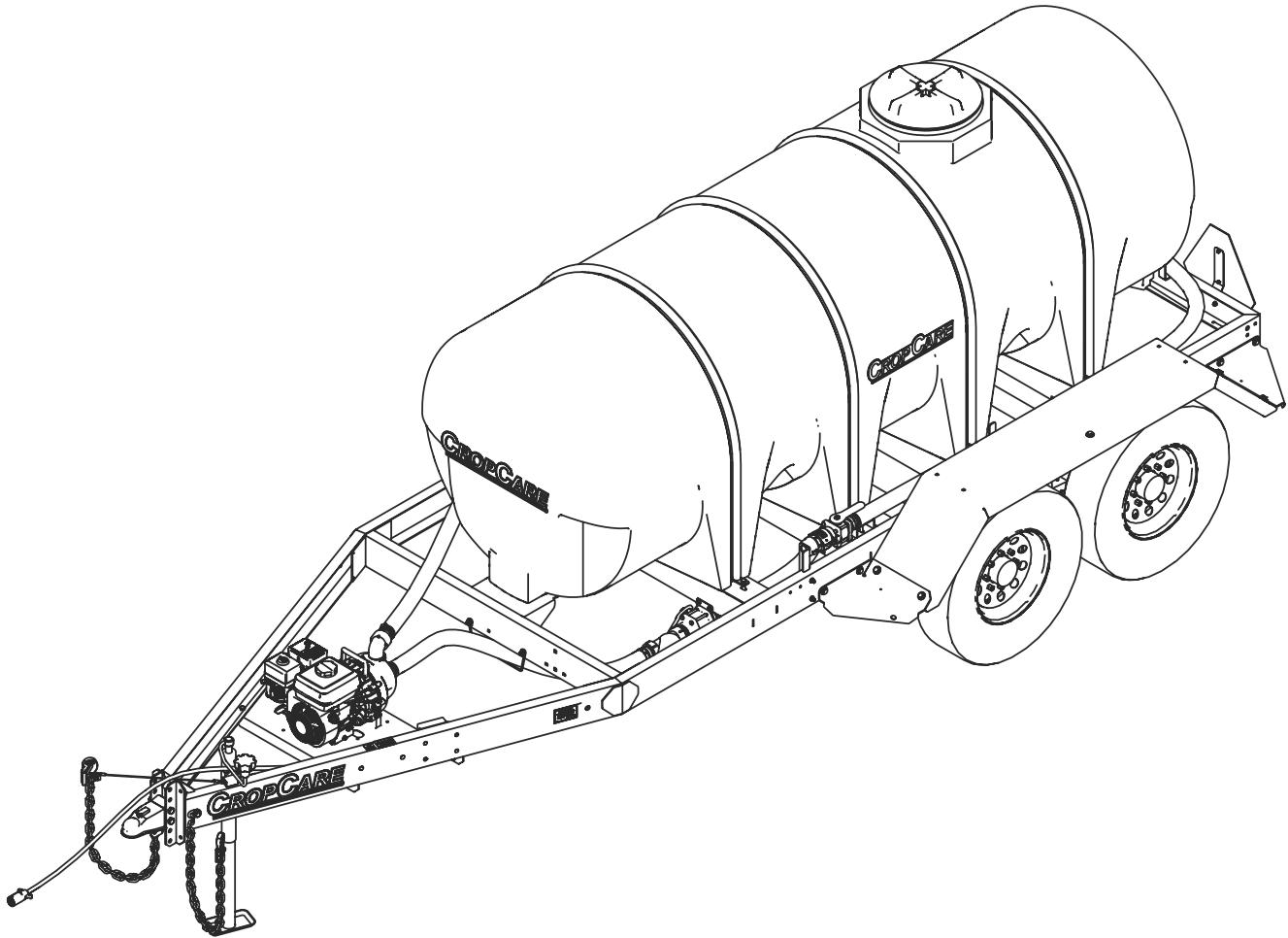


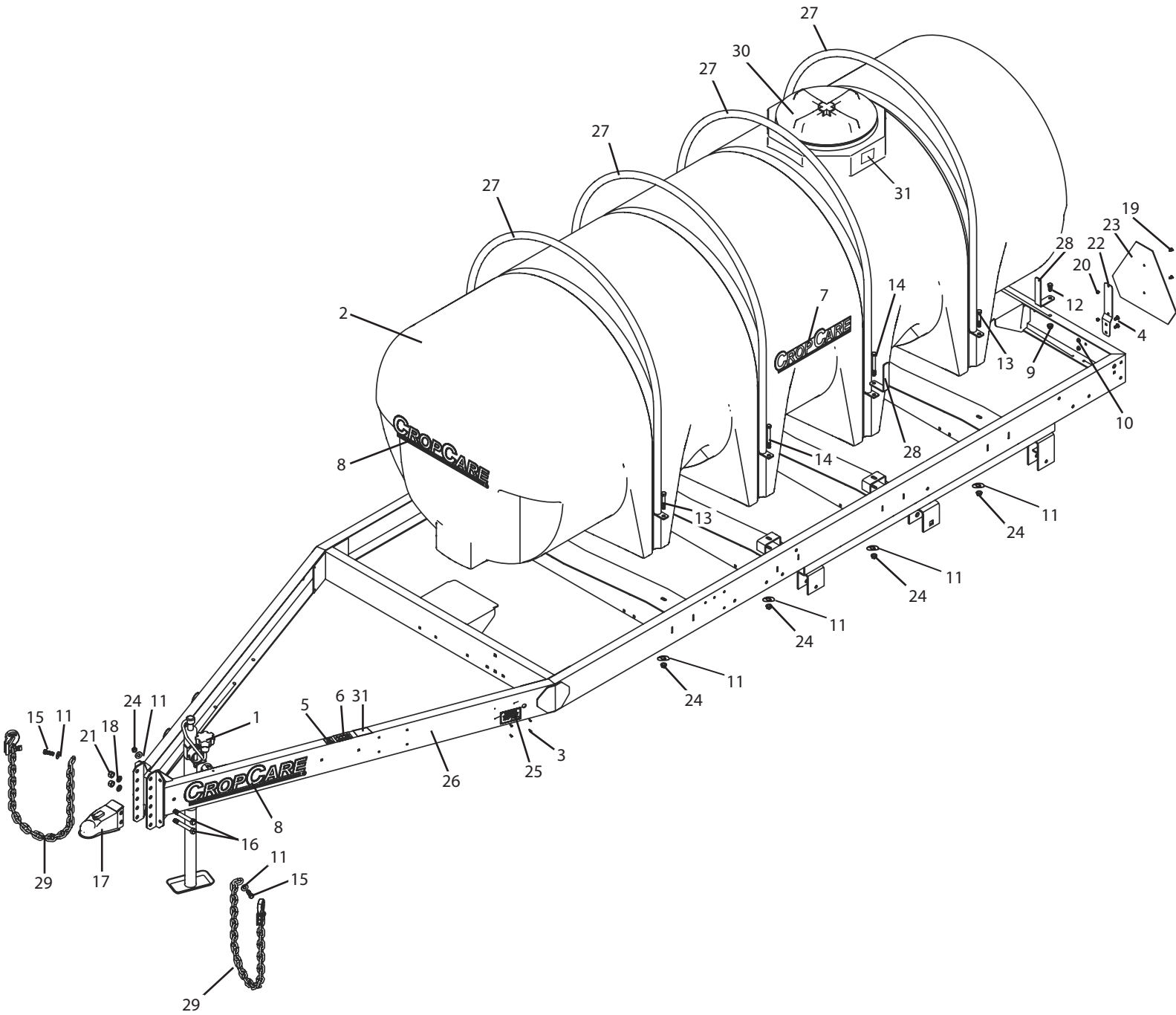
NGX1000T Breakdown

Sprayer Nurse Trailer, 1000 Gallon



NGX1000T-1A Breakdown

Sprayer Nurse Trailer, 1000 Gal. Base Unit



NGX1000T-1A Breakdown

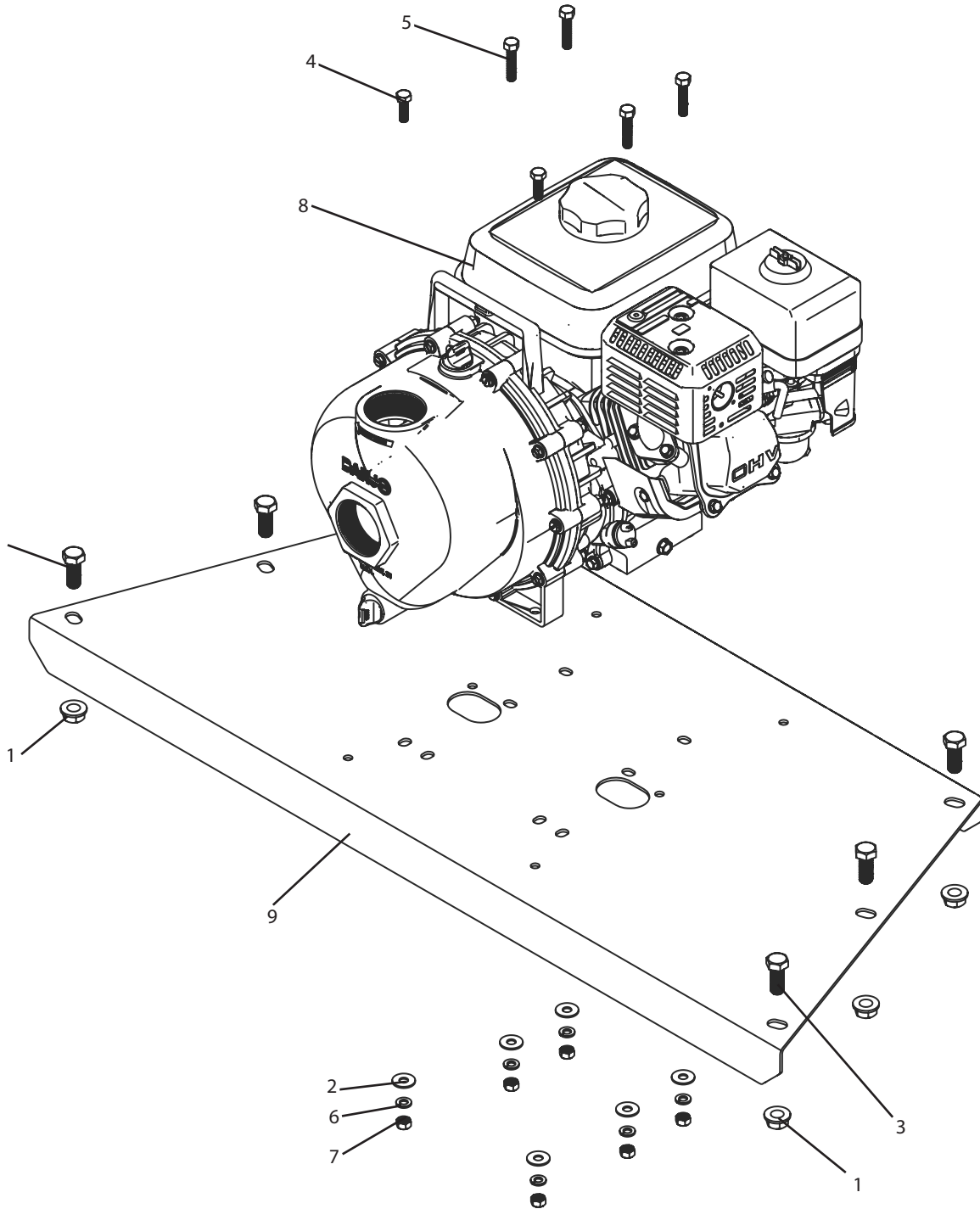
Ref#	Qty.	Part Number	Description
1	1	178151	Jack, 5000 Lb 15" Top Wind, Weld-On Tube
2	1	40718	Tank, 1010 Gallon, Norwesco, Black, Horizontal, Drainable Leg
3	4	BTT44	Rivet, Pop 1/8" Dia. x .188" x .250" Grip SS
4	2	CB516*34G5	Bolt, Carriage 5/16-18 x 3/4" Gr 5
5	1	DE115	Decal, Read Owners Manual
6	1	DE39	Decal, "Warning Read Owner's Manual
7	2	DE47	Decal, CropCare Logo 3.75" x 19.25"
8	4	DE57	Decal, CropCare Logo 4 7/8" x 24"
9	2	FN12	Nut, Flange 1/2-13
10	2	FN516	Nut, Flange 5/16-18
11	12	FW12	Washer, Flat 1/2" USS
12	2	H5C12*1	Bolt, Hex 1/2-13 x 1" Gr 5
13	4	H5C12*3	Bolt, Hex 1/2-13 x 3" Gr 5
14	4	H5C12*412	Bolt, Hex 1/2-13 x 4-1/2" Gr 5
15	2	H8C12*112	Bolt, Hex 1/2-13 x 1-1/2" Gr 8
16	2	H8C58X412	Bolt, Hex 5/8-11 x 4-1/2" Gr 8
17	1	HATCCC	Hitch Coupler, 2-5/16", Channel Mount
18	2	LW58G8	Lock washer, 5/8", grade 8
19	2	MR14X12	Machine Screw Combo 1/4-20 x 1/2
20	2	NC14	Nut, Hex 1/4-20
21	2	NC58G8	Hex nut, 5/8-11, grade 8
22	1	SMVB	Spade, SMV
23	1	SMVM	Sign, SMV Metal 14" x 16"
24	10	SNC12	Nut, Lock Steel 1/2-13
25	1	SP500	Plate, Serial Number, CropCare
26	1	T1115	1000 gallon nurse trailer, main frame
27	4	T1117	1000 gallon nurse trailer tank strap
28	5	T1118	Hose Holder, 1000 gallon nurse trailer
29	2	T1119	Safety Chain, 3/8 Grade 30 with Latching Hook
30	1	63390	Lid, 16" Hinged Tank Ventless w/ Ring
31	3	DE247	Decal, Warning Tank Lid Must Be Open When Pumping Fluid Into Or Out Of Tank

* See support page for component parts breakdowns.

+ For vented lid, use part# 63485.

NGX1000T-1B Breakdown

Sprayer Nurse Trailer, Pump



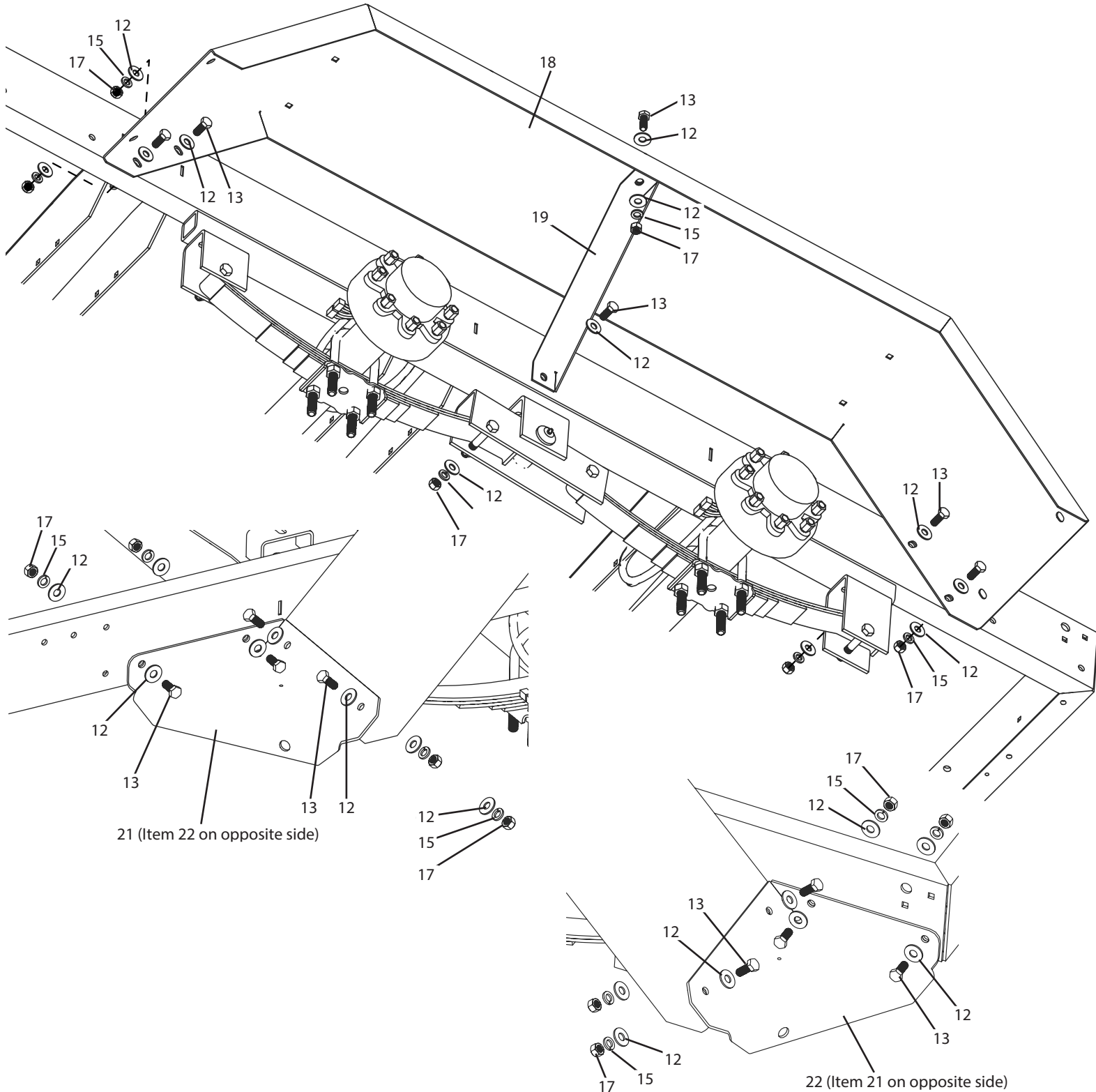
NGX1000T-1B Breakdown

Ref#	Qty.	Part Number	Description
1	6	FN12	Nut, Flange 1/2-13
2	6	FW516	Washer, Flat 5/16"
3	6	H5C12*114	Bolt, Hex 1/2-13 x 1-1/4" Gr 5
4	2	H5C516*1	Bolt, Hex 5/16-18 x 1" Gr 5
5	4	H5C516*112	Bolt, Hex 5/16-18 x 1-1/2" Gr 5
6	6	LW516	Washer, Lock 5/16"
7	6	NC516	Nut, Hex 5/16-18
8	1	SE2ULE5HCP	Pump, Pacer, 5HP GX160 Honda, 2in Port
9	1	T1114	Pump mounting plate, 1000 gallon nurse tank, Pacer 2" pump

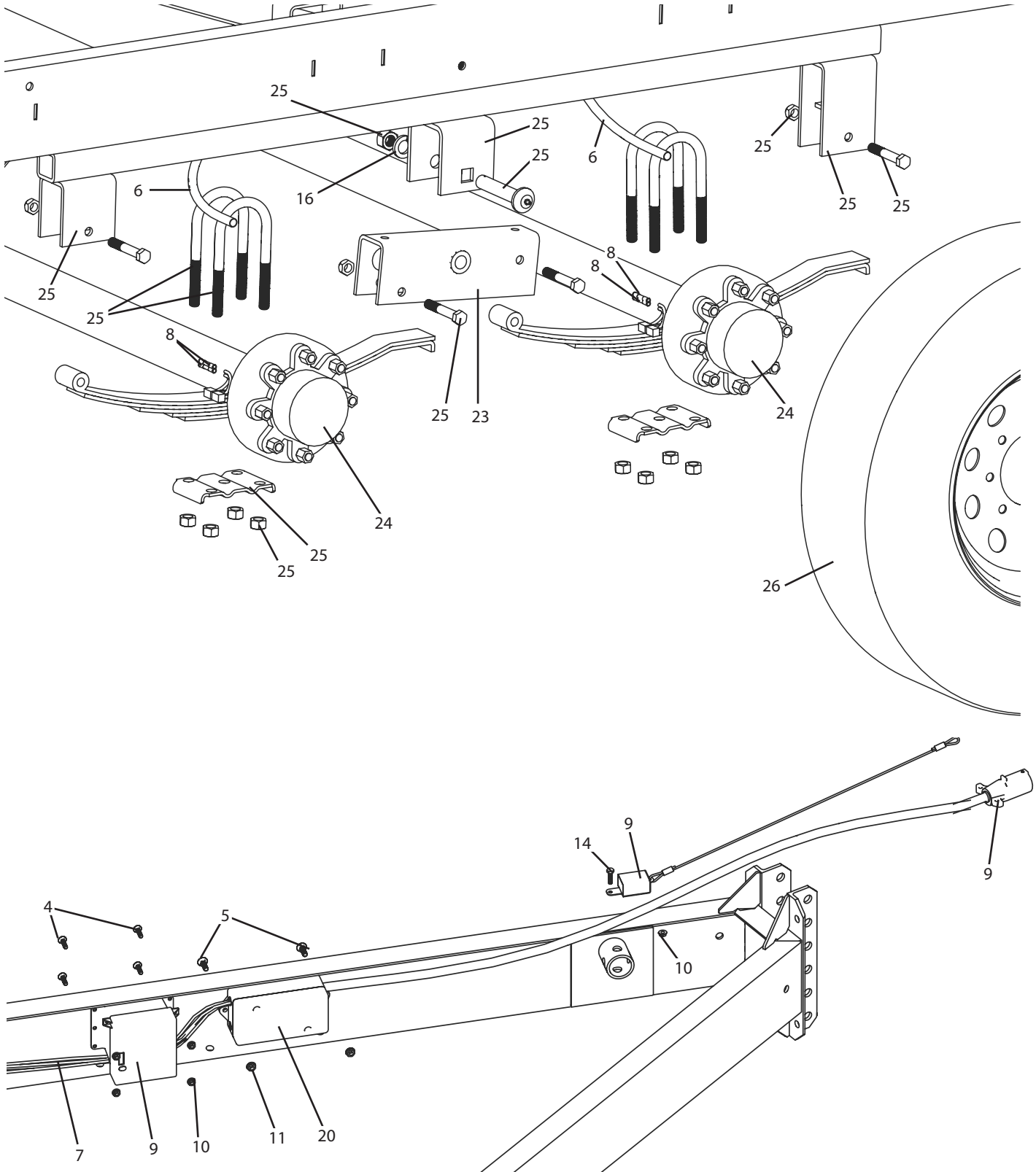
* See support page for component parts breakdowns.

NGX1000T-1C Breakdown

Sprayer Nurse Trailer, 14K Tandem Axle



NGX1000T-1C Breakdown



NGX1000T-1C Breakdown

Ref#	Qty.	Part Number	Description
1	1	506346	Connector, Wire Butt Terminal 16-14 Ga Insulated
2	22	B02459	Wire, Primary 12 Ga White
3	22	B02464	Wire, Primary 12 Ga Blue
4	4	CB14*1G5	Bolt, Carriage 1/4-20 x 1" Gr 5
5	2	CB516*1G5	Bolt, Carriage 5/16-18 x 1" Gr 5
6	5	DC786	Loom, Flex-Gard 1/2"
7	14	DC789	Loom, Flex-Gard 3/4"
8	4	DC923005	Connector, Shrink Tube Butt Seamless 12-10 Ga, yellow
9	1	ELBRK-WIRINGKIT16FT	Trailer Electric Brake Wiring Kit
10	5	FN14	Nut, Flange 1/4-20
11	2	FN516	Nut, Flange 5/16-18
12	56	FW12	Washer, Flat 1/2" USS
13	28	H5C12*114	Bolt, Hex 1/2-13 x 1-1/4" Gr 5
14	1	H5C14*1	Bolt, Hex 1/4-20 x 1" Gr 5
15	28	LW12	Washer, Lock 1/2"
16	2	LW78G8	Washer, Lock 7/8" Gr 8
17	28	NC12	Nut, Hex 1/2-13
18	2	T1110	Fender, 1000 gallon nurse tank, 7k tandem
19	2	T1111	Fender brace, 1000 gallon nurse trailer, 7k tandem axle
20	1	T1121	7 Way Junction Box for Trailer Lights and Electric Brakes
21	2	T1125A	Sprayer Nurse Trailer, Step, Side A
22	2	T1125B	Sprayer Nurse Trailer, Step, Side B
23	2	T1130	Tandem Axle, 5200-8000 lbs, Slipper, Equalizer, Coated
24	2	T1136	Axle, Under Slung, Slipper Spring, 7K, Electric Brakes
25	1	T1137	Tandem Axle Slipper Spring Hanger/Equalizer Kit (Includes Hardware)
26	4	T1138	Tire & Wheel (ST23585R16 LRG mtd 16x6 865 HD)

* See support page for component parts breakdowns.

NGX1000T-1D Breakdown

Sprayer Nurse Trailer, Plumbing Subassembly



NGX1000T-1D Breakdown

Ref#	Qty.	Part Number	Description
1	1	200B	Poly Camlock B 2" FC x MPT
2	1	200F	Coupler, 2" Male w/2" MPT
3	1	200FP	Valve, Poly, 2in FPT, Full Port
4	6	200KN	Nipple, King 2" MPT x 2" HB
5	1	200STD	Valve, Ball Bolted 2" standard port
6	33	3120	Hose, Suction 2" EPDM Blend 60 PSI
7	1	60405	Fitting, Tank 2" Fitting Dbl Tap (Requires a 3" Hole)
8	1	62399	Anti-Vortex Adapter, 2" For 60405
9	6	6832	Hose Clamp, 1-1/2" - 2-1/2" SS
10	1	8M200	Nipple, 2" MPT x Close Sch 80 Poly
11	2	8SE200	Elbow, Street 90° 2" NPT Sch 80 Poly
12	2	CB38*114G5	Bolt, Carriage 3/8-16 x 1-1/4" Gr 5
13	2	CB38*2G5	Bolt, Carriage 3/8-16 x 2" Gr 5
14	2	CB38*34G5	Bolt, Carriage 3/8-16 x 3/4" Gr 5
15	8	FN38	Nut, Flange 3/8-16
16	2	FW38	Washer, Flat 3/8"
17	2	NNC38	Nut, Lock Nylon 3/8-16
18	1	T1122	Coupling Storage Mounting Bracket
19	1	T1124	Sprayer Nurse Trailer, Suction Valve Bracket
20	1	T856	Guide, Hose
21	1	YLS20040	* Strainer, 2in W/40-20 Mesh Y Strainer

* See support page for component parts breakdowns.